



Kaps 900 Dental Microscope

See
More
Detail

Perfect Entry Level Model
for your Dental Surgery



Kaps 900 Dental Microscope

Cost-effective entry level microscope with integrated LED illumination



The Kaps 900 is a high performance and user-friendly dental microscope. It supported the dentist during his daily work - the perfect entry level model with a sensational price-performance ratio.

Trust in the proven Kaps optics which goes hand in hand with a ultra bright LED illumination.

LED illumination

The high-contrast color temperature of the LED illumination is very similar to the daylight. This and the homogeneous illumination of the field of view contribute to a fatigue-free work. Another advantage is the long service life of 50,000 hours and low power consumption. LED lighting generates little heat and is extremely quiet.

Ergonomics

We have paid particular attention to the **ergonomics**. You always sit in a comfortable and upright, ergonomically correct position and can do your daily work much more relaxed.

Uncompromising Quality

Brilliant Optics

Kaps optics provides crystal clear images and high-resolution details in natural colors (apochromatic optics).

Comfortable Handling

Kaps 900 disposes of a high working and operating comfort. All elements are clean and user-friendly integrated.

Extensive range of accessories

Kaps 900 features a wide range of helpful accessories.

Durability

Kaps 900 is equipped with a high quality metal housing and is characterized by a long service life.

Special color

Perfect integration of the dental microscope in the color scheme of your dental surgery. Karl Kaps offers a wide range of special painting.

Different Stands

Kaps offers different stands for the Kaps 900:

- wall mounting
- ceiling mounting
- compact mobile stand, h-style

Features at a glance

- 5-step magnification changer
- 0-210° inclinable binocular tube $f = 182 \text{ mm}$
- Objective $f = 250 \text{ mm}$ with fine focusing
- Wide field eyepieces 12.5 x V
- Integrated LED illumination, dimmable (life time app. 50,000 hours)
- Space saving stands
- Ergonomic handle



Extensive Range of Accessories



Ergonomics Wedge with Beam Splitter

Ergonomic working even with changing working positions. Neck and spine will be perceptible relieved.

Order no 101-316-000
Order no 101-989-000



Kaps HD Photo Adapter for SONY NEX-5/-6/-7 and Alpha 5000/6000

HD documentation of medical findings with apochromatic optics for brilliant and true color images with amazing detail diversity in full format.

Order no 101-327-000



Kaps-Variflex-100 in compact construction height

Objective lens with a focal length of 220 - 320 mm and objective lens protection is quick and easy substitute and ready for use immediately.

Order no 101-710-000



Lens Protection

Order no 101-663-100



Sterilization Cover for Ergo Handle

Order no 700-826

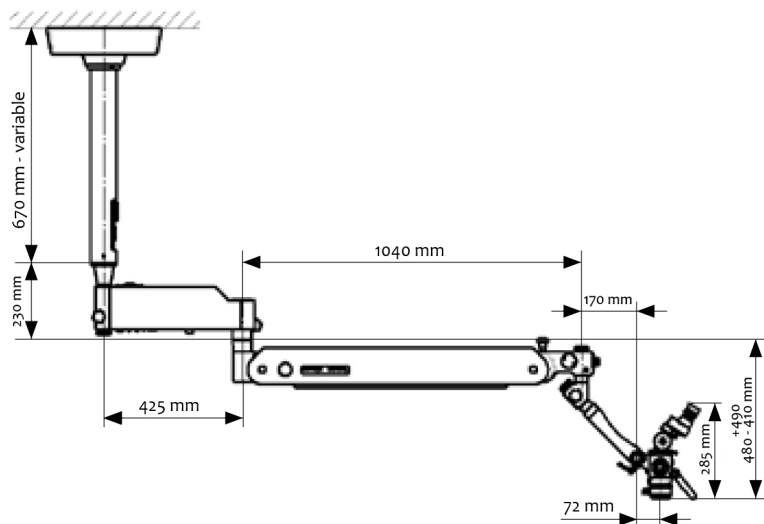


Technical Data

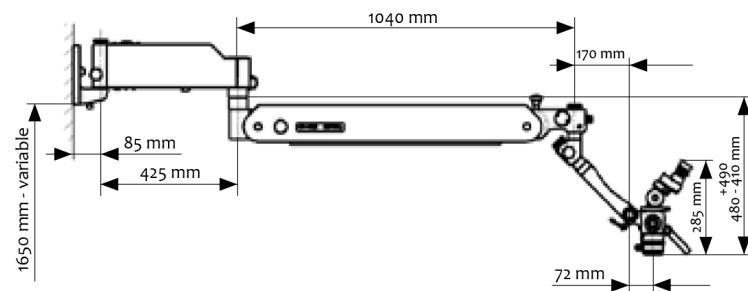
Kaps 900

Magnification	5-step apochromatic magnification changer
Binocular tube	0-210° inclinable binocular tube f = 182 mm
Eyepiece	Wide field eyepiece 12.5 x V; 10 x V
Objective	Objective f = 250 mm with fine focusing Kaps-Variflex-100 f = 220 mm - 320 mm (continuously)
Illumination	Integrated LED illumination

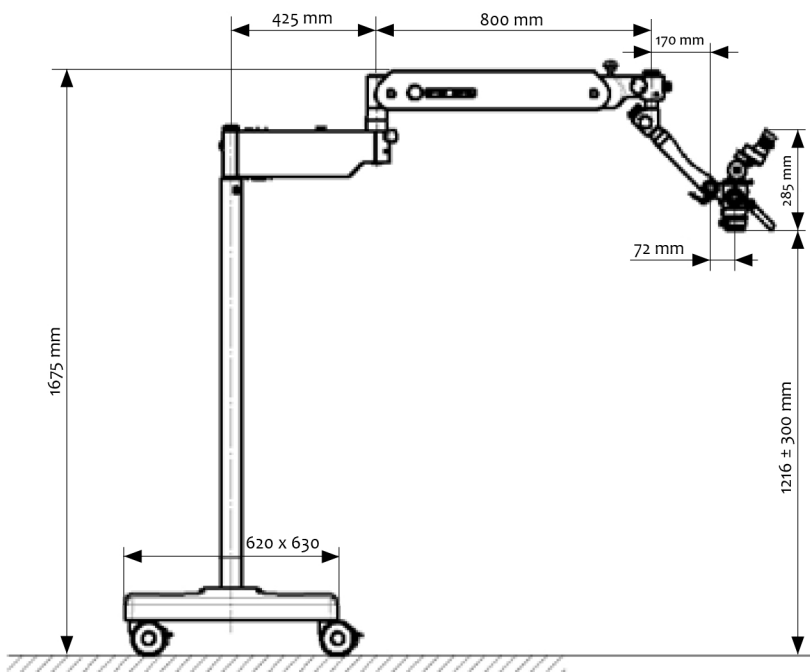
Ceiling mounting



Wall mounting



Mobile Stand





VANEST
Dental and Medical Ltd.

Karl Kaps is a global medical technology company, offering complete diagnosis and treatment solutions in the medical disciplines of otorhinolaryngology, ophthalmology, microsurgery, endodontics, neurosurgery, spinal surgery, gynecology and in all similar areas.

Modern, innovative surgical and diagnostic microscopes are developed and manufactured at the Asslar and Wetzlar production sites.

We aim to provide our customers with the best possible equipment for the medical care of their patients. This is our contribution to ensuring that correct diagnosis and successful therapy can be initiated.

More information can be found at
www.kaps-optik.de



 made
in
Germany

© 2016 Karl Kaps GmbH & Co. KG
All rights reserved

Technical changes may be made
without prior notice

Printed in Germany, August 2016

Kaps 900 Dental Microscope / en / 2016-08

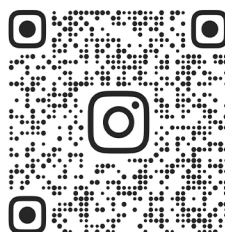
OUR FOCUS IS ON YOUR VISION

Dubai, UAE, Shekh Zayd Road opposite to
World Trade Center API tower 29 Floor

+971 (50) 334 8851 Salesuae@vanest.co
+971 (50) 406 2991

Iraq, Erbil, Bakhtiari, VANEST Building
Opposite to Gulan Towers

+964 (750) 447 4748 Sales@vanest.co
+964 (773) 772 2020



VANEST.CO